



YESIR

end-to-end HVAC&R Solution Partner





YESIR

end-to-end HVAC&R Solution Partner

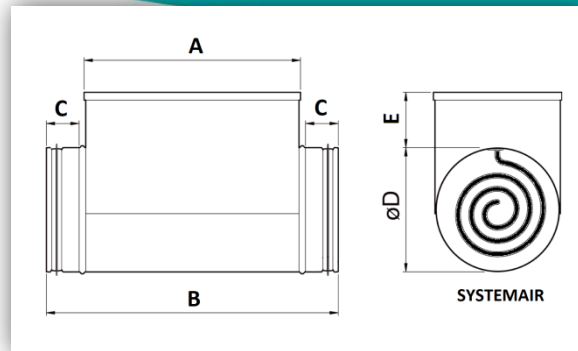
REHATER





YESIR

end-to-end HVAC&R Solution Partner



NO	TYPE	HEATING CAPACITY	DIMENSION				
			A	B	C	D	E
1	RH100	400 Watt	278 mm	375 mm	42 mm	∅ 100 mm	72 mm
2	RH125	1800 Watt	278 mm	375 mm	42 mm	∅ 125 mm	72 mm
3	RH160	1200 Watt	278 mm	375 mm	42 mm	∅ 160 mm	72 mm
4	RH200	2100 Watt	278 mm	375 mm	42 mm	∅ 200 mm	72 mm

Electrical duct heaters are used in the air supply duct line at the cabins to adjust room temperature. Heating capacity range from 400 watt to 2100 watt. The duct heater is equipped with two overheating cut-outs (of which one is manual reset), to prevent overheating when the airflow is too low or in case of a fault in the system.

The duct heaters are controlled with room thermostat. The power supply is 230 V, 2-phase, 50 Hz.

Please contact us for more details. rfq@yesir.com.tr